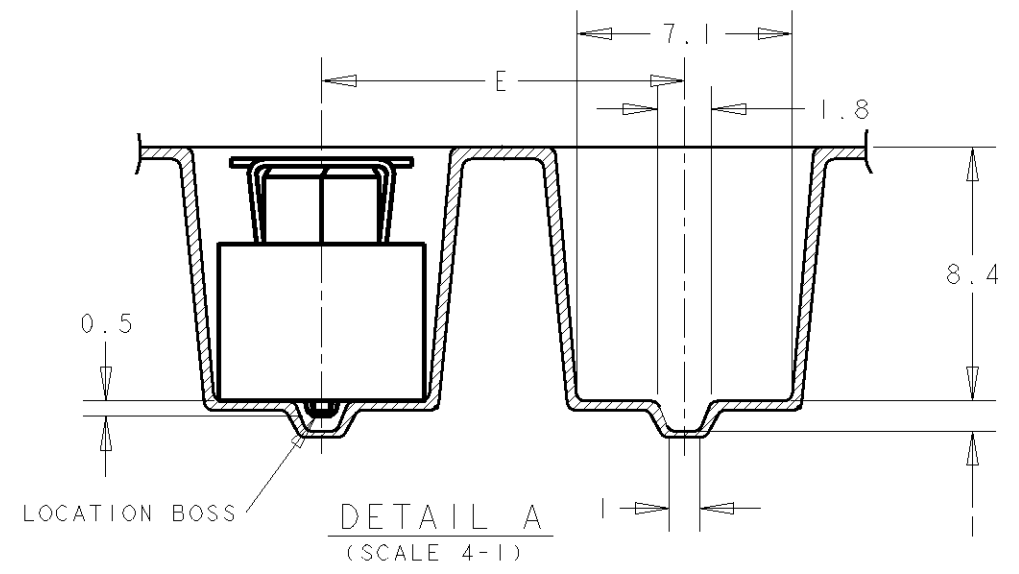
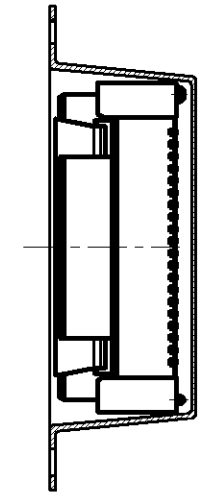
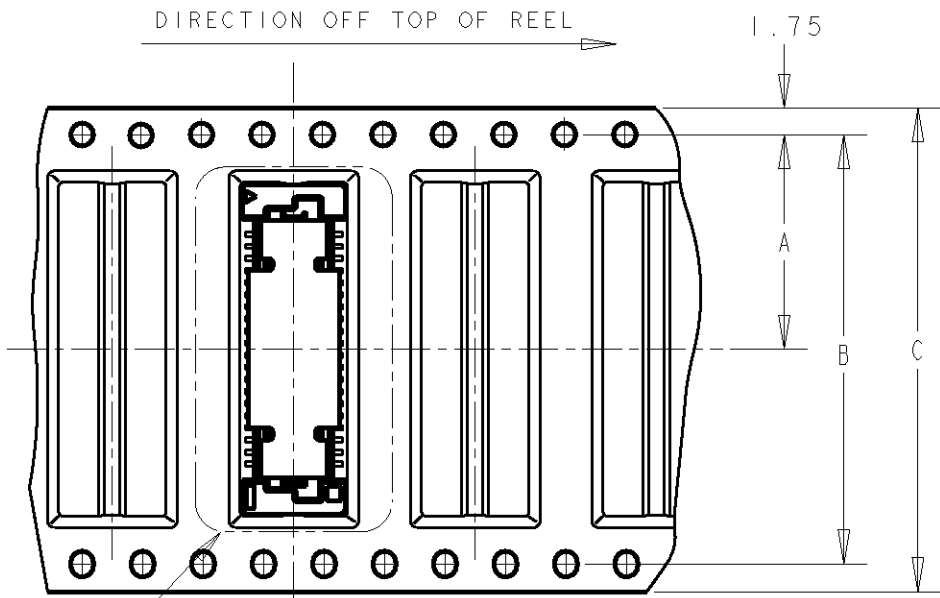


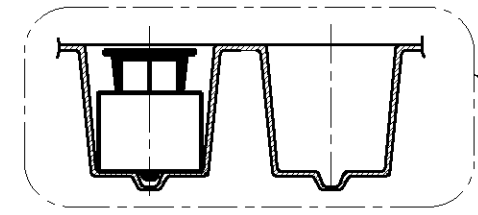
THIS DRAWING IS UNPUBLISHED. RELEASED FOR PUBLICATION .19
 © COPYRIGHT 19 BY AMP INCORPORATED. ALL RIGHTS RESERVED.

LOC	DIST	REVISIONS			
P	LTR	DESCRIPTION	DATE	DWN	APVD
DY	-	A	REVISED PER ECR-06-012498	24MAY06	SYJ LSF

DIRECTION OFF TOP OF REEL →

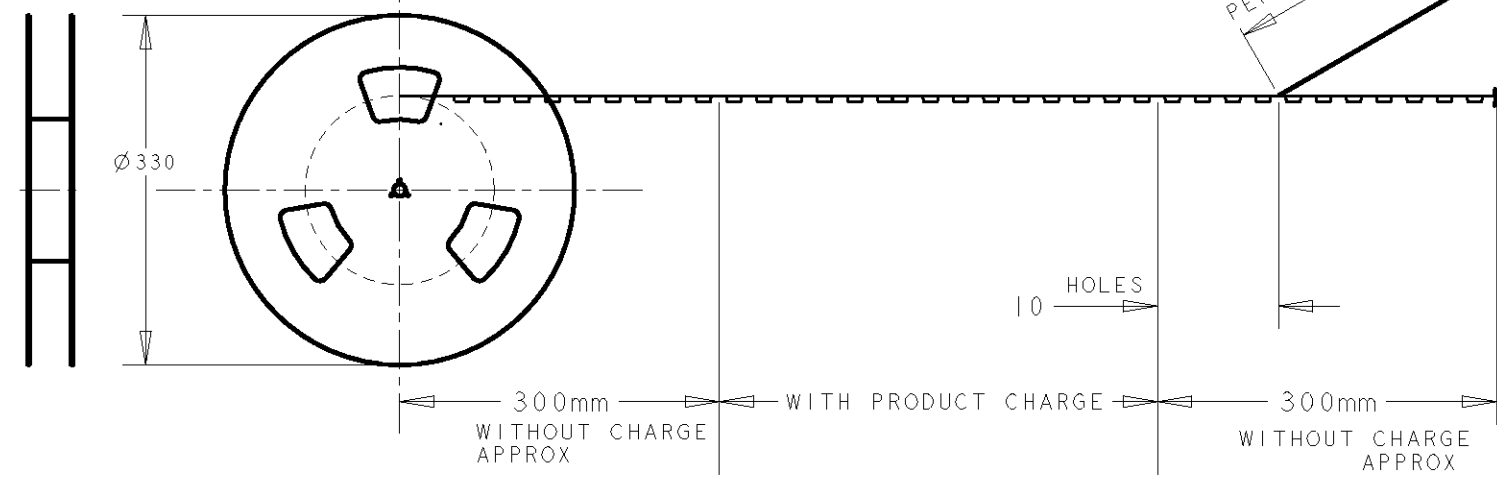


DETAIL B



DETAIL A

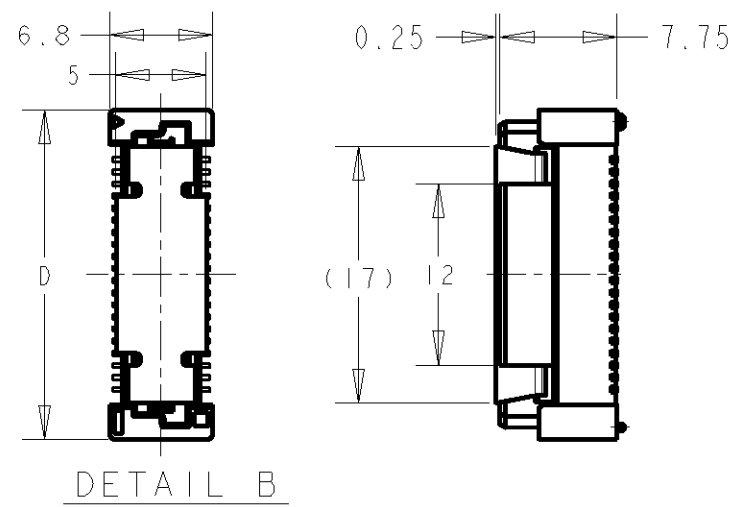
WINDING THE COVER TAPE AROUND THE OUTER PERIPHERY IN A TURN.



NOTES:

- 1 0.00076 MIN GOLD PLATING (30u INCHES GOLD PLATING)
- 2 0.00020 MIN GOLD PLATING (Au FLASH PLATING)

REMARKS	QTY	E	D	C	B	A	POS	CONN P/N	PART NO		
1			61.8	88	84.4	42.2	140	-6	7-	-6	
			53.8	72	68.4	34.2	120	-5	7-	-5	
	400	16	45.8	72	68.4	34.2	100	-4	7-	-4	
			37.8	56	52.4	26.2	80	-3	7-	-3	
			29.8	44	40.4	20.2	60	-2	7-	-2	
2	500	12	21.8	32	28.4	14.2	40	5084613-1	7-5179180-1		
			61.8	88	84.4	42.2	140	5-	-6	5-	-6
			53.8	72	68.4	34.2	120	5-	-5	5-	-5
	400	16	45.8	72	68.4	34.2	100	5-	-4	5-	-4
			37.8	56	52.4	26.2	80	5-	-3	5-	-3
		29.8	44	40.4	20.2	60	5-	-2	5-	-2	
	500	12	21.8	32	28.4	14.2	40	5-5179009-1	5-5179180-1		



THIS DRAWING IS A CONTROLLED DOCUMENT FOR AMP INCORPORATED. IT IS SUBJECT TO CHANGE AND THE CONTROLLING ENGINEERING ORGANIZATION SHOULD BE CONTACTED FOR THE LATEST REVISION.

DIMENSIONS:	TOLERANCES UNLESS OTHERWISE SPECIFIED:
mm	0 PLC ±0.2
	1 PLC ±0.25
	2 PLC ±0.3
	3 PLC ±0.3
	4 PLC ±0.3
	ANGLES ±3°
MATERIAL	FINISH
-	-

DWN FLORENCE TAN	14SEP04	Tyco Electronics (Singapore) Pte. Ltd.
CHK ERIC TNG		
APVD SEIFONG		
PRODUCT SPEC		NAME REC ASS'Y 9H TYPE (0.5 BOSS L) FOR FH 0.8mm B-T-B CONN, ON TAPING
APPLICATION SPEC		SIZE A3
WEIGHT		CAGE CODE 00779
CUSTOMER DRAWING		DRAWING NO 5179180
		SCALE 2:1 SHEET 1 OF 1 REV A